



Fax +49 211 4560-8566
 Messe Düsseldorf GmbH, Abt.: UT-SAS
 Postfach 10 10 06, 40001 Düsseldorf, Germany
 Phone +49 211 4560-500
 tr-service@messe-duesseldorf.de

Questions?

Order Form

Stairs and Platforms

B 10
 GB
 2024

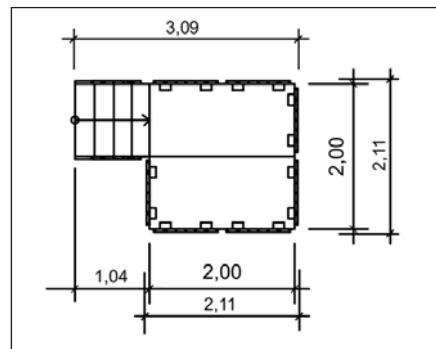
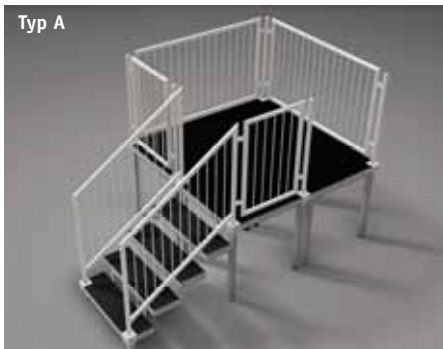
Trade Fair Stand

B 10

For incomplete documentations and all orders submitted less than 21 days before set-up time Messe Düsseldorf adds a surcharge of 35% on the fees.

Event
Hall/Stand number

Ident-Nr.	Amount ordered	All stand construction dimensions must be divisible by 0.5!	Unit	Rental price per unit in € plus VAT
Platform type A: stairs and platform with stainless steel railings, including covering with carpet in standard colour (2 x 2 m, height 1 m)				
7861		Without side facing	each	2,650.60
7866		Side facing molleton (standard colour)	each	3,352.40
7867		Side facing synthetic material white	each	2,884.50
7868		Side facing mono-colour painted (standard colour)	each	3,118.40
7869		Higher than 1 m up to max. 2 m	per 20 cm	358.70
		Other colours and sizes on request subject to surcharge		
Platform type B: stairs and platform with steel railings, black, including covering with carpet in standard colour (2 x 2 m, height 1 m)				
7874		Without side facing	each	1,403.30
7876		Side facing molleton (standard colour)	each	2,105.00
7877		Side facing synthetic material white (standard colour)	each	1,637.10
7878		Side facing mono-colour painted (standard colour)	each	1,871.10
7879		Higher than 1 m up to max. 2 m	per 20 cm	280.70
		Other colours and sizes on request subject to surcharge		



- Keep clear a minimum space of 1m x 1m in front of the stairs.
- Platforms may only be installed on the hall floor. Should a raised floor be laid around the platform, make sure that all steps have the same height in the finished state. Should the customer request the stairs to be installed on a platform, appropriate load distribution must be ensured and if need be structural certification must be submitted.
- Exhibitors shall protect any transits to, and areas between, exhibits against falls from a height.
- Areas below platforms must not be used, not even for material storage purposes.
- A technical inspection of the platforms is included in the price. Additional inspections for other stand structures must be registered and paid for by exhibitors.

We hereby order the following services **for hire** in accordance with the Conditions of Participation and Technical Guidelines.

Name of the company _____
 Street _____
 Postal code and place _____
 Country _____

Contact _____
 Telephone _____
 Telefax _____
 Email _____

Company Stamp, date, signature