



Messe  
Düsseldorf

Fax +49 211 4560-8566

Messe Düsseldorf GmbH, Abt.: UT-SAS  
Postfach 10 10 06, 40001 Düsseldorf, Germany

Phone +49 211 4560-500  
tr-service@messe-duesseldorf.de

Questions?

Order Form

B 10  
GB  
2025

Trade Fair Stand

B  
10

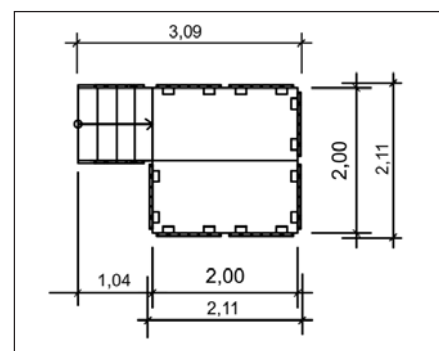
## Stairs and Platforms

Please enter orders in the ground plan sketch sent to you with the approval documentation (can also be called up and processed in OOS online in the forms for technical performance items). Prices include material (rental), construction and dismantling.

For incomplete documentations and all orders submitted less than 21 days before set-up time Messe Düsseldorf adds a surcharge of 35% on the fees.

Event
Hall/Stand number

Ident-Nr.	Amount ordered	All stand construction dimensions must be divisible by 0.5!	Unit	Rental price per unit in € plus VAT
		<b>Platform type A: stairs and platform with stainless steel railings, including covering with carpet in standard colour (2 x 2 m, height 1 m)</b>		
7861		Without side facing	each	2,717.00
7866		Side facing molleton (standard colour)	each	3,437.00
7867		Side facing synthetic material white	each	2,957.00
7868		Side facing mono-colour painted (standard colour)	each	3,197.00
7869		Higher than 1 m up to max. 2 m	per 20 cm	367.50
		Other colours and sizes on request subject to surcharge		
		<b>Platform type B: stairs and platform with steel railings, black, including covering with carpet in standard colour (2 x 2 m, height 1 m)</b>		
7874		Without side facing	each	1,439.00
7876		Side facing molleton (standard colour)	each	2,158.00
7877		Side facing synthetic material white (standard colour)	each	1,678.00
7878		Side facing mono-colour painted (standard colour)	each	1,918.00
7879		Higher than 1 m up to max. 2 m	per 20 cm	287.80
		Other colours and sizes on request subject to surcharge		



- Keep clear a minimum space of 1m x 1m in front of the stairs.
- Platforms may only be installed on the hall floor. Should a raised floor be laid around the platform, make sure that all steps have the same height in the finished state. Should the customer request the stairs to be installed on a platform, appropriate load distribution must be ensured and if need be structural certification must be submitted.
- Exhibitors shall protect any transits to, and areas between, exhibits against falls from a height.
- Areas below platforms must not be used, not even for material storage purposes.
- A technical inspection of the platforms is included in the price. Additional inspections for other stand structures must be registered and paid for by exhibitors.

We hereby order the following services **for hire** in accordance with the Conditions of Participation and Technical Guidelines.

2/2 >>

Name of the company
Street
Postal code and place
Country

Contact
Telephone
Telefax
Email

Company Stamp, date, signature

# Stairs and Platforms

To be ordered via form B 10

Order Form

Trade Fair Stand

B  
10

**Platform type A** – the standard colours of the carpet are: black, grey, green, blue, red



7861

**Platform type A:**

stairs and platform with stainless steel railings, including covering with carpet in standard colour without side facing



7866

**Platform type A:**

stairs and platform with stainless steel railings, including covering with carpet in standard colour side facing molleton (standard colour – white or black)



7867

**Platform type A:**

stairs and platform with stainless steel railings, including covering with carpet in standard colour side facing synthetic material white



7868

**Platform type A:**

stairs and platform with stainless steel railings, including covering with carpet in standard colour side facing mono-colour painted (standard colour – white or black)



7869

**Platform type A:**

stairs and platform with stainless steel railings, including covering with carpet in standard colour higher than 1m up to max. 2m

**Platform type B** – the standard colours of the carpet are: black, grey, green, blue, red



7874

**Platform type B:**

stairs and platform with steel railings, black, including covering with carpet in standard colour without side facing



7876

**Platform type B:**

stairs and platform with steel railings, black, including covering with carpet in standard colour side facing molleton (standard colour – white or black)



7877

**Platform type B:**

stairs and platform with steel railings, black, including covering with carpet in standard colour side facing synthetic material white



7878

**Platform type B:**

stairs and platform with steel railings, black, including covering with carpet in standard colour side facing mono-colour painted (standard colour – white or black)



7879

**Platform type B:**

stairs and platform with steel railings, black, including covering with carpet in standard colour higher than 1m up to max. 2m